

Americans with Disabilities Act

The Department of Justice issued its final rule regarding Nondiscrimination on the Basis of Disability by Public Accommodations and in Commercial Facilities. This ruling was published in 1991 as 28 CFR Part 36.

The following are excerpts from Appendix A to Part 36 - Standards for Accessible Design. A complete copy of Part 36 is available from the PSAI office.

4.1.2 Accessible Sites and Exterior Facilities: New Construction

(6) If toilet facilities are provided on a site, then each such public or common use toilet facility shall comply with 4.22. If bathing facilities are provided on a site, then each such public or common use bathing facility shall comply with 4.23.

For single user portable toilet or bathing units clustered at a single location at least 5% but no less than one toilet unit or bathing unit complying with 4.22 or 4.23 shall be installed at each cluster whenever typical inaccessible units are provided. Accessible units shall be identified by the International Symbol of Accessibility.

Exception: Portable toilet units at construction sites used exclusively by construction personnel are not required to comply with 4.1.2(6).

4.2 Space Allowance and Reach Ranges

4.2.3* Wheelchair Turning Space. The space required for a wheelchair to make a 180 degree turn is a clear space of 60 in (1525 mm) diameter [see Fig. 3(a)] or a T-shaped space [See Fig. 3(b)].

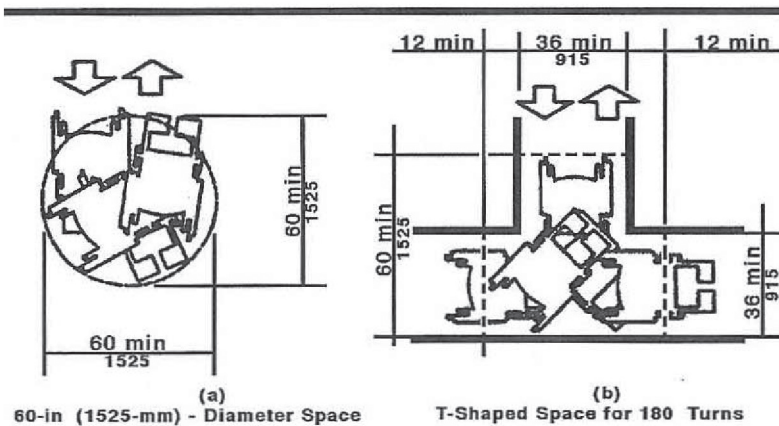


Fig. 3
Wheelchair Turning Space

Note: The Department of Justice does not certify manufacturing standards but manufacturing standards must comply with this ruling. Portable restroom units that meet Space Allowance and Range Reaches per this act are Termed ADA compliant or ADA Accessible.